



LAND COMMUNICATION RANGE



www.gme.net.au



477 MHz UHF radios

TX3220 3
TX3420 3
TX3440 3
TX4400 4
TX4600 4

477 MHz UHF handheld radios

TX650 5
TX670 5
TX680 5
TX6100 6

TX6200 6
Multi-charger BCM001 6

wide band radio scanner

RX1300 7

27 MHz AM CB radios

TX2700 8
TX835 8
GX300B 8

in-car entertainment systems

RC90 9
RD95 9

stereo and extension speakers .. 10

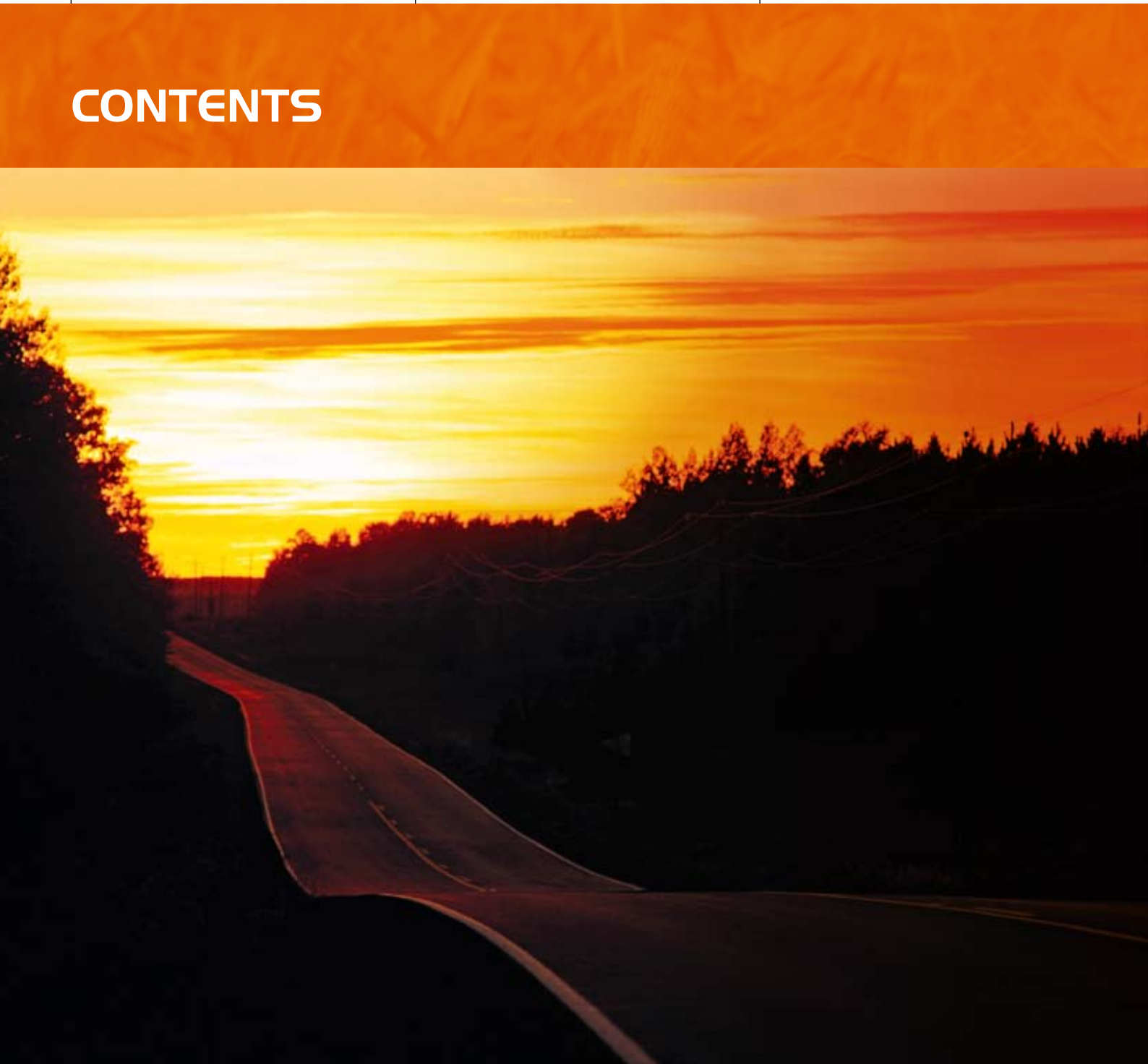
antennas 11

Antenna range - 477 MHz 12
- 27 MHz 13
- Cellular and AM/FM 13

accessories

Springs and bases 12
Mounting brackets 13
Power supplies - PSA & PSM series 14
VC series voltage converters 15

comparison chartback



CONTENTS



TX3220

5 Watt 40 channel compact UHF radio

Simple, practical and affordable, the TX3220 is a tough and compact UHF radio with an in-built 'Scanning Mode'. The unique slide-in mounting cradle makes installation simple, the solid die-cast chassis is built to last. This rugged unit is ideally suited to the harsh operating environment of earth moving equipment, tractors and 4WD's.

features

- User selectable priority channel
- User selectable open and group scan
- User adjustable squelch
- User selectable duplex channels
- 50 in-built CTCSS codes
- Graphic signal strength meter
- 20 extra dealer programmable receive channels (403–520 MHz).
- Australian made

flush mount kit

The **TX3220** can be in-dash mounted with the optional **MBDOOI** DIN adapter kit.



TX3420

5 Watt 40 channel remote mount UHF radio

The design of the TX3420 with its remote head allows for easy installation when space is limited. Through rugged design, enhanced features and performance the TX3420 has rewritten the standard for 477 MHz radios.

features

- Remote mounting option
- User selectable duplex
- User selectable open and group scan
- User adjustable squelch
- 5 digit selcall with quiet mode
- 50 in-built CTCSS codes
- Digital signal strength meter
- 59 extra user programmable receive channels (403–520 MHz).
- Frequency band scanning
- Australian made

TX3440

5 Watt remote mic UHF radio

The TX3440 displays the same rugged design, enhanced features and performance as the TX3420. The remote head of the TX3420 is replaced with the remote LCD controller microphone giving the user the ability to control all features of the radio in the palm of their hand. The ideal radio choice when space is a premium.

features

- Full function LCD microphone
- User selectable duplex
- User selectable open and group scan
- User adjustable squelch
- 5 digit selcall with quiet mode
- 50 in-built CTCSS codes
- Digital signal strength meter
- 59 extra user programmable receive channels (403–520 MHz).
- Frequency band scanning
- Australian made

477 MHz UHF RADIOS



TX4400

5 Watt 40 channel DIN sized UHF radio

The TX4400 is a full DIN sized radio, its compact depth design allows for easy installation in confined spaces, and can be either bracket or dash mounted.

The combination of front facing speaker, large LCD screen, rotary volume, channel and squelch controls make this radio unique. Feature packed yet simple to use.

features

- User selectable priority channel
- 10 selcall memories
- User selectable open and group scan
- Variable squelch
- 5 digit selcall with quiet mode
- 50 in-built CTCSS codes
- ANI (Automatic Number Identification) and alpha labelling for selcall.
- Page transpond mode
- 20 extra user programmable receive channels (465–485 MHz).
- Australian made

TX4600

5 Watt 40 channel UHF radio to IP67

The rugged design of the TX4600 includes an ingress protection rating of IP67 making it the ideal choice if the radio is likely to come into contact with dust or water. The TX4600 is especially suited for use on quad bikes and tractors.

The large backlit display clearly indicates the selected channel, signal strength and many other useful features.

features

- Compact with ingress protection to IP67
- User selectable priority channel
- User selectable open and group scan
- User adjustable squelch
- 5 digit selcall with quiet mode
- 50 in-built CTCSS codes
- 10 selcall memories
- ANI (Automatic Number Identification) and alpha labelling for selcall.
- 40 extra user programmable receive channels (403–520 MHz).
- Australian made

flush mount kits



The **TX4400** can be flush mounted with the optional **MK200B** flush mount kit.



The **TX4600** can be flush mounted with or without the optional **MK001B** flush mount kit.



TX650

1 / 0.5 Watt handheld UHF radio - twin pack

The innovative design of the TX650 has produced an ultra compact 1 Watt handheld radio that is only 12 mm thick. The size of the TX650 has not compromised performance with a feature set comparable to larger high power models.

For close range communications the TX650 can be switched to 0.5 Watt which will increase the available talk time.

supplied with

- Twin desktop charger
- 240 Volt AC adapter
- 2 x ear microphones and neck lanyards



TX670

2 / 1 Watt handheld UHF radio

The all new design of the TX670 has resulted in an ergonomic and aesthetically pleasing feature packed 2 Watt radio. The circuit design of the TX670 incorporates a super sensitive receiver with front end filtering to maximise performance.

For close range communications the TX670 can be switched to 1 Watt to increase the available talk time.

supplied with

- 3 x 1500 mAh rechargeable AA batteries
- 240 Volt AC adapter
- Belt clip



Also available in twin packs.



TX680

3 / 1 Watt handheld UHF radio

The TX680 is a feature packed 3 Watt radio, with the receive sensitivity and front end filtering you have come to expect in a GME radio. Designed with performance and reliability in mind. The TX680 is ingress protected to IP54.

The TX680 can be switched to 1 Watt to increase the available talk time.

supplied with

- 1000 mAh Li-Ion rechargeable battery
- Semi-quick charger
- 240 Volt AC adapter
- Leather carry case with belt clip

common features

- Scan – The radio will scan through all 40 channels.
- Calling Tone – One of five ringing tones can be selected and transmitted on any channel to alert other users that you are trying to make contact.
- Dual Watch – Allows you to set the radio to monitor any two selected channels.
- Auto Power Save – After a period of not transmitting or receiving, the radio automatically switches to power save mode.
- CTCSS – This feature allows you to select one of 38 codes per channel. This stops unwanted signals being received. Key Pad Lock – when activated, the front buttons are disabled preventing accidental key press.
- VOX – When speaking, the radio automatically detects your voice and transmits without the need to press the PTT (Push to Talk) button.
- Roger Beep – the radio will send a short 'beep' when the PTT button is released.
- Monitor Switch – Pushing the monitor switch will open the radio's squelch.
- Duplex Capable – Used to access one of the many UHF repeaters around the country.
- LCD Display – The battery level and signal indicators are displayed along with selected functions
- Accessory Connection – The radio provides a connection socket for the optional ear and speaker microphone.

477 MHz UHF HANDHELD RADIOS



TX6100

5/1 Watt handheld UHF radio

As well as all the features present in the TX680, the TX6100 also includes DCS, (Digital Coded Squelch), and a full 5 Watts of output power. The TX6100 is supplied with a high capacity Li-Ion battery.

For close range communications the TX6100 can be switched to 1 Watt to increase the available talk time.

supplied with

- 1700 mAh Li-Ion rechargeable battery
- Desktop fast charger
- 240 Volt AC adapter
- Leather carry case with belt clip



TX6200

5/1 Watt rugged handheld UHF radio

The TX6200 is a fully featured 40 Channel UHF CB radio with a wide band receiver. Capable of storing an extra 20 receive channels in the frequency band of 403-520 MHz, these extra channels can be included in the scan sequence of normal CB channels.

Containing all the usual GME features, the TX6200 has additional functions such as selcall with quiet mode and open and group scanning. The full 5 Watt output power and super sensitive receiver combine to provide maximum range.

The TX6200 has a solid die cast frame enclosing a single printed circuit board, and the front cover is made from a thick polycarbonate ABS blend making the TX6200 a very durable, rugged and reliable handheld.

The TX6200 can be switched to 1 Watt to increase the available talk time at close range.

supplied with

- 1200 mAh Ni-MH rechargeable battery
- Desktop fast charger
- 240 Volt AC adapter
- Belt clip



BCM001

Desktop multi-charger

Offering full flexibility, the new 6 way multi-charger is able to charge any combination of either TX680, TX6100 or TX6200 at the same time.

The multi-charger is supplied without charging pockets allowing the user to purchase the appropriate pockets to suit their radio fleet.

features

- LED indicators to show 'charging and 'charged' states.
- Average charge time - 6 hours.

optional accessories

- TX6200 charging pocket - CP001
- TX680/6100 charging pocket - CP002

NEW



RX1300

wide band radio scanner

The RX1300 wideband analogue scanner has been designed to meet many requirements. With the RX1300 you will be able to listen to analogue transmissions from many varied sources some of which are emergency services, marine, railroad, aircraft, motor racing pit crews and drivers, other sporting events, TV and AM/FM broadcasts to name a few.

supplied with

- Antenna
- Rechargeable battery pack
- Earphone
- Charger cradle
- AC Power adapter
- Lanyard strap

features

- Frequency range: 150 kHz - 1309 MHz including aviation N.D.B.s
- 11 frequency bands
- Channel scanning
- Priority scanning
- Dual watch capability
- 1300 memory locations
- Direct frequency input
- Adjustable squelch control
- Backlit LCD display

27 MHz CB Radios



TX2700

27 MHz AM CB radio

The TX2700 is a full DIN sized radio, its compact depth allows for easy installation in confined spaces where it can be either bracket or in-dash mounted.

The combination of front facing speaker, large LCD screen, rear mounting microphone option, as well as rotary volume, channel and squelch controls are what makes this radio unique. The perfect partner for your TX4400.

features

- Unique rear mounting mic option
- Advanced noise limiter (NL) circuitry
- Channel up/down mic
- Front facing speaker
- Priority channel 8 for CB application
- Large LCD display with dimming function
- Signal strength meter
- Rotary squelch and volume control
- Channel scanning with memory

TX835

27 MHz AM CB radio

The GME TX835 features a PLL frequency synthesiser which allows accurate selection of the full 40 channels of the 27 MHz Citizen Band radio service. In addition, in-built speech processor circuitry automatically raises the average level of your transmitted voice for greater clarity and better penetration under poor signal conditions.

The TX835 is designed in Australia for the Australian market.

features

- Full din size
- Large front mounted speaker
- Signal strength meter
- Local/distance switching
- Channel display dimmer for night driving
- Advanced ISC interface suppression circuit
- Instant channel 8 recall button on mic

GX300B

27 MHz compact CB/marine radio

The GX300B incorporates both the 27 MHz Citizens Band and the 27 MHz Marine Band in the one transceiver. The GX300B features rotary volume and squelch controls, front facing speaker as is ingress protected to IP55. The 70 mm depth of the GX300 means it is perfectly suited for shallow flush mounting applications.

features

- Compact design protected to IP55
- User selection of CB or marine channels (26 MHz version available in New Zealand).
- Large LCD display with dimming function
- Full channel scan
- Dual watch function
- Full function mic
- Multiple mounting options

flush mount kits

The **TX2700** and **TX835** can be flush mounted with the optional **MK200B** kit.



The **GX300** can be mounted with the optional **MBD002B** DIN adapter kit, or with the **MK001B** flush mount kit.





NEW

NEW

iPod and personal MP3 player compatible

RC90

RD95

CD/MP3 player/
AM/FM radio

DVD/CD/MP3 player/
AM/FM radio



features

- Unique MP3 via CD/USB/SD card and auxiliary inputs.
- Backlit colour LCD screen
- Detachable front face panel
- Infrared remote control
- 4 x 45 Watt power output
- iPod* and personal MP3 player compatible

*iPod is a trademark of Apple Computer Inc., registered in the U.S. and other countries.

supplied with

- Remote control
- DC/speaker cable harness
- Screw pack and support strap

The GME RC90 and RD95 in-car Stereo systems are arguably some of the finest audio products available today. Designed with the music buff in mind they offer music enthusiasts the same level of audio quality normally reserved for high end home entertainment systems.

The RC90 and RD95 have been developed utilising a combination of the very latest in digital electronic technology and the design expertise gained by GME engineers over several decades of product development.

STEREO AND EXTENSION SPEAKERS

NEW



NEW



SPK011B

flush mount stereo speakers

Flush mount 133 mm (5 1/4") diameter 2 way coaxial speakers. Supplied in a pack of two.

features

- 110 Watts x 2*
- Speaker impedance 4 Ohm
- Includes mounting hardware and speaker cable.

*Peak to peak music power per speaker, refer to website.

SPK012B

flush mount stereo speakers

Flush mount 152 mm (6") x 229 mm (9") oval 3 way coaxial speakers. Supplied in a pack of two.

features

- 140 Watts x 2*
- Speaker impedance 4 Ohm
- Includes mounting hardware and speaker cable.

*Peak to peak music power per speaker, refer to website.

extension speakers

SPK45B

8 Ohm, 4 Watts Mylar Cone speaker with metallic dust cap, can be flush mounted. Overall dimensions in mm: 65 (h) x 65 (w) x 64 (d)



SPK07

8 Ohm, dust/water resistant speaker with Mylar Cone size 57 mm (2.2"). Nominal 2 Watts maximum 3 Watts. Overall dimensions in mm: 67 (h) x 75 (w) x 31 (d)



SPK04

High performance, compact speaker, elliptical 4 Ohm.

Nominal 3 Watts maximum 5

Watts. Overall dimensions in mm: 66 (h) x 113 (w) x 56 (d)



SPK09

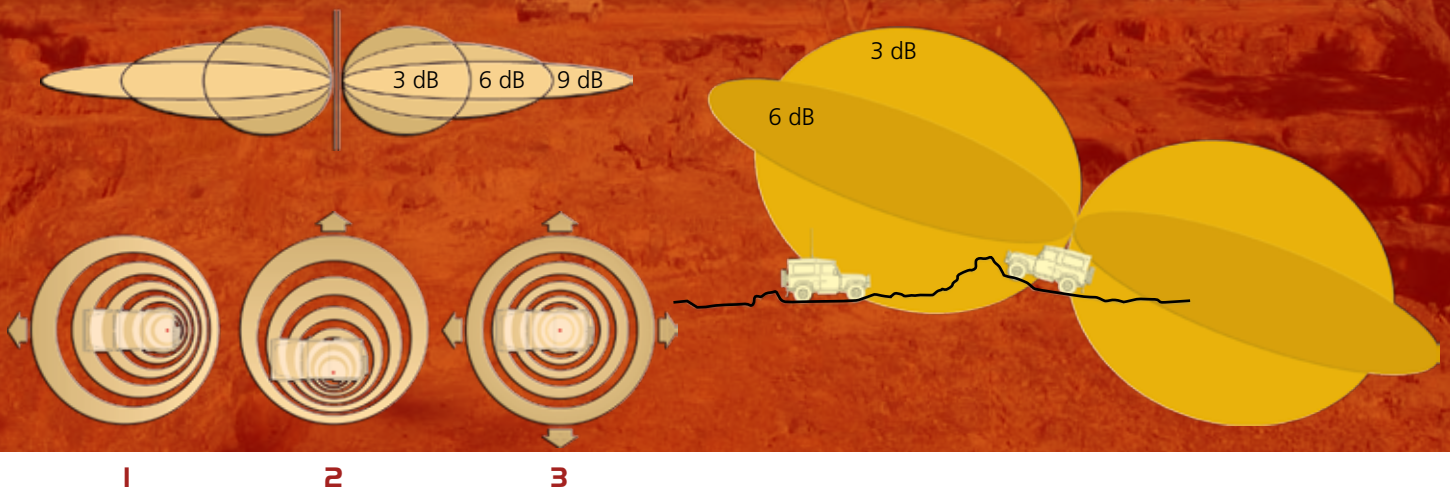
4 Ohm speaker, nominal 7 Watts maximum 13 Watts. Overall dimensions in mm: 112 (h) x 123 (w) x 63 (d)



SPK08

8 Ohm speaker, nominal 7 Watts maximum 13 Watts. Overall dimensions in mm: 192 (h) x 182 (w) x 63 (d)





GME offers a wide range of 27 MHz, 477 MHz and Cellular Antennas. Manufactured to exacting high standards to suit the GME range of market leading radios suited for all applications and offering exceptional performance, reliability and value.

Two important factors when choosing an antenna are the mounting position and the desired radiating patterns for the terrain in which the antenna is intended to be used.

mounting positions

An antenna needs a large uniform metal surface beneath the radiating elements to perform correctly. This is referred to as a 'Ground Plane'. Therefore the best position to install an antenna is in the centre of a metal roof, however, this is not always possible as installation on a bull bar or mirror mount is often necessary. In this case a 'Ground Independent' antenna should be used to give the antenna its desired radiating pattern without metal beneath.

radiating patterns

The relation of an antenna's gain to its radiating pattern is important to understand, as shown in the top diagram above. As the electrical design of the antenna is modified to increase the gain, the omnidirectional pattern is squashed in a vertical plane and is enhanced in a horizontal plane. This expands the signal's coverage. A high gain antenna will therefore give increased coverage on flat terrain but the elevation will be limited making it unsuitable in mountainous regions.

radiating pattern on a flat metal surface

The direction of a 'Non Ground Independent' antenna radiation pattern varies with the vehicle mounting position.

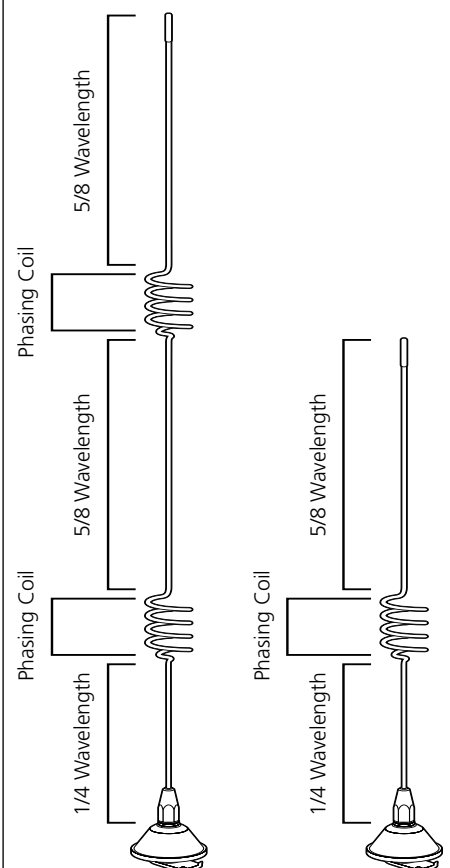
- 1 REAR – Strongest to the front, weak to the rear
- 2 LEFT – Strongest to the right, weaker to the left (Antenna Right – Vice Versa).
- 3 CENTRE – All directions equal (best)

the antenna to suit the terrain

Lower gain antennas are more suited for hilly terrain where reception does not depend on the angle of the antenna, see diagram above.

antenna construction

Below are two examples of the electrical construction of antennas. High Gain antennas (typical 6 to 9 dB) are usually longer than Low Gain antennas (typical 4.5 to 6 dB).



ANTENNA RANGE - 477 MHZ

G Also available in grey



AE4001 AE4002 AE4003 AE4005 AE4007/8 AE4012/7 AE4018
 AE4012/7K1 AE4012/7K2 AE4018K1 **G** AE4014 AE4011 AE409L AE4006 AE4013 AE4701 AE4702 **G** AE4703 **G** AE4705 **G** AE4706

477 MHz ANTENNA RANGE

CODE	TYPE	LENGTH
AE4001	Unity gain	150
AE4002	Unity gain	150
AE4003	4.5 dB	570
AE4005	2.1 dB	370
AE4007	4.5 dB	600
AE4008	4.5 dB	600
AE4012	4.5 dB	600
AE4017	4.5 dB	600
AE4013	2.1 dB	380
AE4014 G	Unity gain	800
AE4018	4.5 dB	640
AE4012K1	4.5 dB	780
AE4017K1	4.5 dB	780
AE4012K2	4.5 dB	860
AE4017K2	4.5 dB	860
AE4018K1	4.5 dB	980
AE409L	6/9 dB	830/1230
AE4006	6 dB	1200
AE4701	2.1 dB	580
AE4702	4.5 dB	1040
AE4703 G	4.5 dB	1100
AE4705 G	4.5 dB	1200
AE4706 G	6 dB	2100
AE47011	6 dB	1800

All measurements in mm

G Ground plane independent

AE4700 SERIES*

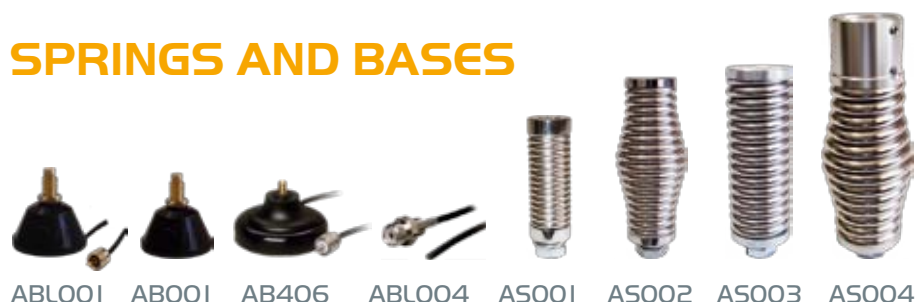
The AE4700 Series of bull bar antennas is the most diverse and adaptable range of large vehicle mount antennas on the market today. Engineered with the coaxial termination protected inside the spring assembly and easy screw down fitment of the whip, the antenna can easily be changed for different gain and lengths to suit operating conditions. This is beneficial when coming from the bush where a two metre high gain antenna is needed compared to driving in the city where a lower gain, shorter length is required.

Any of the whips in the AE4700 Range can be effortlessly interchanged without changing the AE4705/6 spring base. The AE409L ground independent steel whip and AE4013 will also fit onto the spring base, this offers an alternative to thicker radomes. *Patent No. 776598

SPRINGS AND BASES

CODE	TYPE
AB001	27/477 MHz base (5/16" TPI thread)
ABL001	27/477 MHz base and lead (5/16" TPI thread)
ABL002	Elevated feed with 4.5 m low loss foam coaxial (BSW thread)
ABL004	50239 centre, with 5 m low loss foam coaxial (suits 4700 Series)
AB406	Magnetic base/lead assembly (5/16" TPI thread)
AS001	Light duty parallel spring (BSW thread)
AS002	Medium duty barrel spring (BSW thread)
AS003	Medium duty parallel spring (BSW thread)
AS004	Heavy duty barrel spring (suits AE4705/6)

SPRINGS AND BASES



ABL001 AB001 AB406 ABL004 AS001 AS002 AS003 AS004

NZ New Zealand versions available



27 MHz ANTENNA RANGE		
CODE	TYPE	LENGTH
AE240 NZ	Braided	600
AE242 NZ	Braided	900
AE243 NZ	Braided	1200
AEZ39	Heavy duty braided	1000
AEZ59	Heavy duty braided	1500
AE2001	Flexible	320

27 MHz ANTENNA RANGE		
CODE	TYPE	LENGTH
AE2006 NZ	Helical	600
AE2014 NZ	Helical	1000
AE2018 NZ	Helical	1500
AE2007 NZ	Stainless steel	1200
AE2008	Stainless steel	1200
AE220 NZ	Braided	1100

CELLULAR & AM/FM RANGE		
CODE	TYPE	LENGTH
AEM3	AM/FM receiver	800
AEM2	AM/FM receiver	1560
AT4DG	3 dB digital phone	400
AT6AM	3 dB CDMA phone	460
AT6DB G	4 dB CDMA/digital phone	800

MOUNTING BRACKETS



MOUNTING BRACKETS		
CODE	TYPE	LENGTH
MB017	Ford Falcon/Territory driver's side front	1.5 mm Stainless Steel
MB018	Ford Falcon/Territory passenger's side front	1.5 mm Stainless Steel
MB401SS	Mirror mount	2.5 mm Stainless Steel
MB403SS	L-shaped universal	1.5 mm Stainless Steel
MB404SS	Holden bracket	1.5 mm Stainless Steel
MB405SS	L-shaped	2.5 mm Stainless Steel
MB406SS	VT Commodore gutter bracket	1.5 mm Stainless Steel
MB407	Bonnet/boot 'Z'	1.5 mm Stainless Steel
MB407SS	Bonnet/boot 'Z'	1.5 mm Stainless Steel
MBO3	Adjustable gutter mount	Die-cast Aluminium
MB024SS	Bull bar antenna mounting	3 mm Stainless Steel
MB408B	Bull bar antenna mounting	3 mm black Mild Steel
MB408SS	Bull bar antenna mounting	3 mm Stainless Steel
MB101SS	38 mm bull bar bracket	3 mm Stainless Steel
MB102SS	45 mm bull bar bracket	3 mm Stainless Steel
MB103SS	50 mm bull bar bracket	3 mm Stainless Steel
MB104SS	63 mm bull bar bracket	3 mm Stainless Steel
MB105SS	76 mm bull bar bracket	3 mm Stainless Steel

POWER SUPPLIES



PSA SERIES

regulated DC power supply

The PSA Series of power supplies feature rugged steel construction, superior performance and unparalleled reliability with less than 20 mV ripple at the continuous rating. This makes them ideal for all RF and computer applications.

features

- Over Voltage Protection (OVP)** – In the event of a failure within the power supply causing the output voltage to increase, the OVP circuit will cause the internal fuse to blow, preventing damage to any equipment attached to the power supply.
- Current Limiting Circuit** – If the peak current rating is exceeded due to a short circuit or excessive load across the output terminals, the output current will be limited to a safe level, preventing damage to the power supply.
- Thermal Fuse Protection** – The high efficiency double insulated power transformer contains a built-in thermal fuse to protect the power supply against over heating or burnout.

- Rugged Construction** – Vented wrap-around steel cover, high efficiency heat sinks, heavy duty construction and PC board mounted regulator circuitry.

PSA SERIES

MODEL	PEAK CURRENT (Amps)	CONTINUOUS CURRENT (Amps)	DIMENSIONS H X W X D (mm)	WEIGHT (Kgs)
PSA123	4	1.5	76 x 102 x 185	1.7
PSA126	7	3.5	85 x 120 x 190	2.65
PSA1210	11	5.5	105 x 160 x 212	4.05

PSM SERIES

MODEL	PEAK CURRENT (Amps)	CONTINUOUS CURRENT (Amps)	DIMENSIONS H X W X D (mm)	WEIGHT (Kgs)
PSM1215	15	12*	69 x 173 x 124	1.2
PSM1225	25	20*	73 x 173 x 190	1.9
PSM1235	35	30*	74 x 173 x 234	2.2

PSM SERIES

switch mode power supply

The PSM Series eliminates the need for a heavy transformer making them a highly efficient and cost effective alternative. Fully suppressed and meeting relevant local safety and EMC requirements ensures interference free operation with radio equipment.

features

- Suitable for most communication equipment applications or where stable regulated DC voltage is required.
- High efficiency switch mode technology for cooler operation and longer life.
- Cooling via thermally controlled in-built fan.
- Compact, lightweight aluminium heat sink.



VC SERIES

voltage converters

An innovative concept in voltage converters, with in-built protection for equipment and vehicle electronics.

features

- 24–13.2 Volt switch-mode operation
- High Performance, high reliability
- Soft shutdown fault protection
- Quick and easy super-safe installation process

VC SERIES			
FEATURES	VC4S	VC7S	VC10S
Type	Switch mode non-isolated	Switch mode non-isolated	Switch mode non-isolated
Input	15 – 38 V DC	15 – 38 V DC	15 – 38 V DC
Output	13.2 V DC	13.2 V DC	13.2 V DC
Constant current -100% duty cycle	3.8 A	6.8 A	10 A
Intermittent current (30% duty cycle)	7 A	11 A	14 A
Quiescent current	< 15 mA	< 15 mA	< 15 mA
Oscillator frequency	60 kHz	60 kHz	60 kHz
Transient voltage	Level 3 @ 2 kV	Level 3 @ 2 kV	Level 3 @ 2 kV
Protection	Overload reverse polarity short circuit soft-shutdown	Overload reverse polarity short circuit soft-shutdown	Overload reverse polarity short circuit soft-shutdown
Efficiency (approx.)	91%	90%	89%
Connection	4 x spade	4 x spade	4 x spade
Colour	Black/gold	Black/gold	Black/gold
Dimensions H x W x D (mm)	32 x 73 x 74	32 x 73 x 85	32 x 73 x 94
Weight	152g including fixings	198g including fixings	211g including fixings
Warranty	12 month warranty	12 month warranty	12 month warranty



RADIO COMPARISON CHART

www.gme.net.au

SERIES	477 MHz RADIOS				HANDHELD RADIOS					27 MHz RADIOS		
MODELS	TX3220	TX3420/ TX3440	TX4400	TX4600	TX650	TX670	TX680	TX6100	TX6200	TX2700	TX835	GX300B
RF output (Watt)	5	5	5	5	1/0.5	2/1	3/1	5/1	5/1	4	4	4
Hi/Lo RF output					•	•	•	•	•			
No. of channels	40	40	40	40	40	40	40	40	40	40	40	40
Scan mode	•	•	•	•	•	•	•	•	•	•		•
OS and GS scan mode	•	•	•	•					•			
Selectable priority channel	•	•	•	•					•			•
Selectable duplex channel	•	•	•	•	•	•	•	•	•			
Selcall		5 Tone	5 Tone	5 Tone					5 Tone			
CTCSS	•	•	•	•	•	•	•	•	•			
Auto number ID (ANI)		•	•	•					•			
Alpha labelling (selcall)		•	•	•					•			
Quiet mode		•	•	•					•			
Digital signal strength meter		•	•	•					•			
Graphic signal strength meter	•				Graphic signal indicator				•	•	•	
Advanced power saving mode					•	•	•	•	•			
Backlit LCD	•	•	•	•	•	•	•	•	•	•		•
Rotary channel selector	•	• [∞]	•							•	•	
Front mounted speaker			•	•	•	•	•	•	•	•	•	•
Remote and reversible mounting		•										
Die-cast chassis	•	•	•	•					•			•
Slide-in mounting cradle	•	•										
Programmable extra Receive channels	20 [†]	59 [†]	20 [*]	40 [†]					20 [†]			
No. of user receivable channels	9365	9365	1600	9365					9365			
External speaker socket	•	•	•	•	•	•	•	•	•		•	•
VOX					•	•	•	•	•			
Keypad lock		•			•	•	•	•	•			
Monitor switch	•	•	•	•	•	•	•	•	•			
Battery capacity (mAh)					720	1500	1000	1700	1200			
Push button channel selection		• ^Δ		•	•	•	•	•	•	•		•
Instant channel 8										•	•	•
Rotary volume control	•	• [∞]	•	•		•	•	•	•	•	•	•
Adjustable squelch control	•	•	•	•		•	•	•	•	•	•	•
Electret microphone	•	•	•	•	•	•	•	•	•	•	•	•
Dimensions (H x W x D mm)	29 x 128 x 117 ⁺	29 x 128 x 117 ⁺	52 x 171 x 95 ⁺	65 x 164 x 56 ⁺	90 x 54 x 12	110 x 55 x 30 [^]	110 x 62 x 30	110 x 62 x 30 [^]	145 x 62 x 39 [^]	52 x 171 x 95	52 x 171 x 173 ⁺	65 x 164 x 55 ⁺
Warranty period (yrs.)	3	3	3	3	1	1	1	1	2	1	1	1

[∞]3420 only ^Δ3440 only [†]From 403-520 MHz ^{*}From 465-485 MHz [^]Measured without antenna ⁺Body measurement only
Specifications are subject to change without notice or obligation.

A Division of: **Standard Communications Pty. Ltd.**

HEAD OFFICE: Locked Bag 2086 North Ryde, NSW 1670, Australia.

PHONE: +61 (0)2 9844 6666 **FAX:** +61 (0)2 9844 6600



BRISBANE: (07) 3278 6444 **MELBOURNE:** (03) 9798 0988 **PERTH:** (08) 9455 5744

ADELAIDE: (08) 8234 2633 **AUCKLAND:** (09) 274 0955 **SYDNEY:** (02) 9879 8888

retailer: