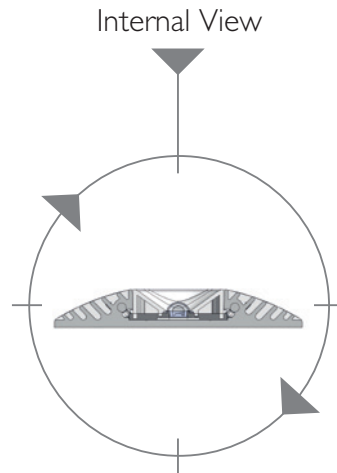


## ■ SUPERLUX / HYPERLUX

- Safe, bright LED TrueWhite™
- Low energy, long life, extra bright
- Multi-Voltage (10V – 32V)
- 70% more light than standard LEDs
- IP67 rating



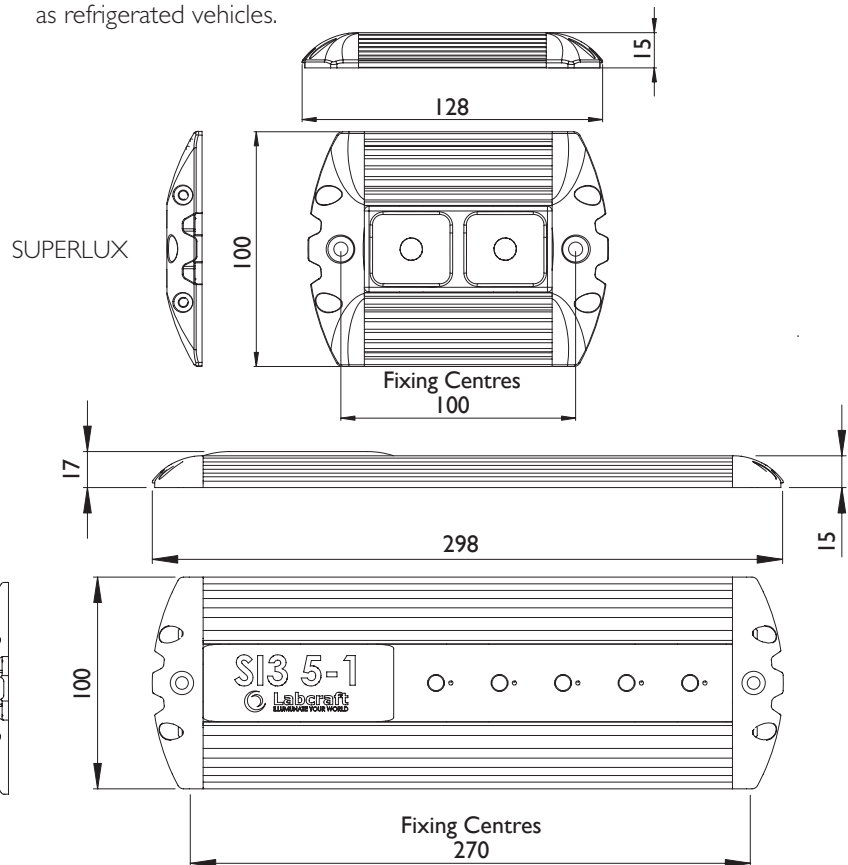
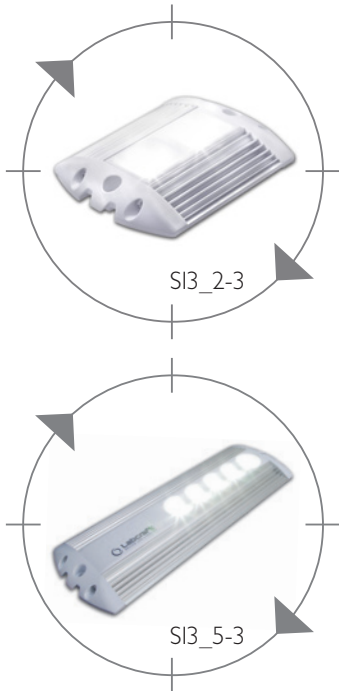
SUPERLUX

HYPERLUX

|| See technical specifications overleaf >>>

## SUPERLUX / HYPERLUX

- New power driver increases light output by 70% over standard power LEDs.
- LED TrueWhite™ technology produces a clean white light, resembling natural daylight and creating a safe working environment.
- 70% less energy than tungsten and more than 50 times longer life means you save maintenance costs and vehicle downtime.
- Low profile design (15mm) and contoured shape designed for surface mounting without causing any obstruction. Installation is quick and easy.
- IP67 rated allowing for pressure washing and challenging environments such as refrigerated vehicles.



### SPECIFICATION

ALL DIMENSIONS HAVE A TOLERANCE OF +/- 1mm

Model No		S13_2-3	S13_5-3
Voltage Range	Vdc	10 to 32	10 to 32
Average Current	A	12V = 0.45A 24V = 0.24A	12V = 1.25A 24V = 0.6A
Illuminance	LUX	N/A	464 @ 1m, 102 @ 2.6m
Total Lumen Output	Lm	340	875
LEDs	W	2 x 2.5W	5 x 2.5W = 12.5W
Weight	Kg	0.165	0.46
Temp. Range	°C	-30 to +40	-30 to +40

\*LED life is directly related to the running temperature within the LED. This product has been designed using the LED manufacturer's data to achieve 50,000 hours assuming an ambient temperature of 25°C. At this point light output may have decreased by 20%

E & OE